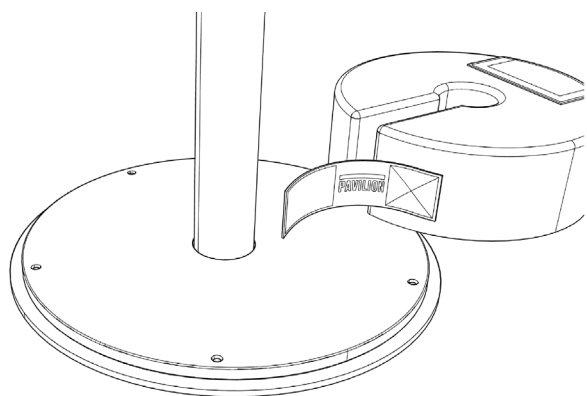


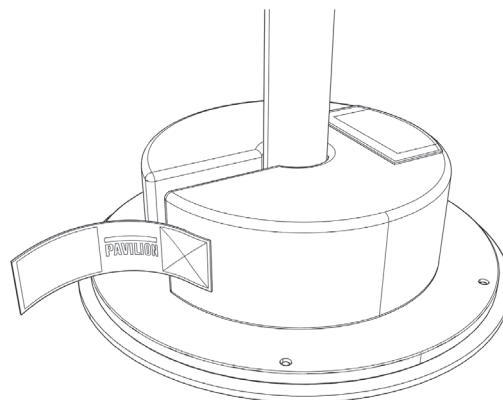
SANDCASTLE

PARASOL BASE SD 2600

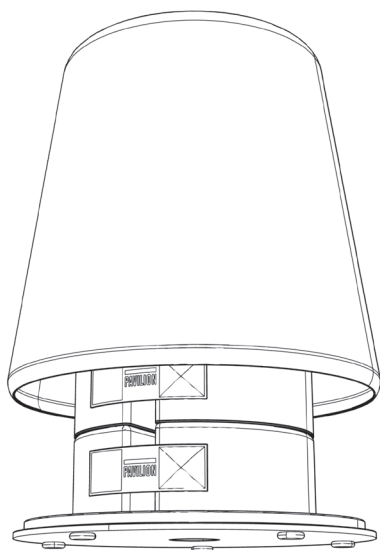
Installation Instructions



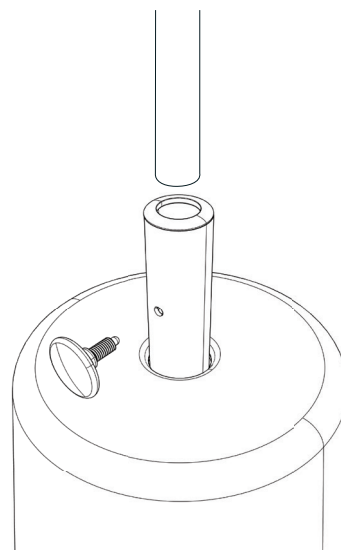
- 1** Adjust glides to level the table base.
Pull Velcro tab open.



- 2** Slide sandbag onto table base stem. Close velcro strap.
Repeat steps for each sandbag required by base type.

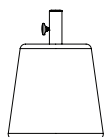


- 3** Slide the aluminum tapered cylinder over
the center column of the table base.



- 4** Insert Umbrella Pole into the central column
and turn Knob clockwise until the pole is securely
held in place.

Sandcastle counterweights must remain intact for the product to perform properly under the ANSI / BIFMA standard.



SD 2600
PARASOL BASE

7/12/2023