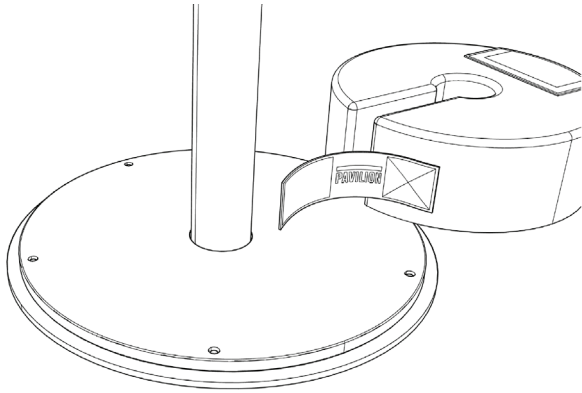


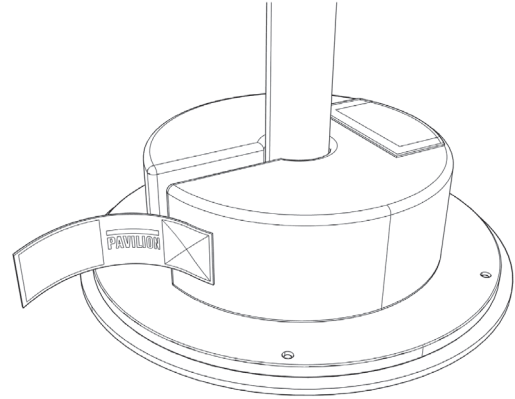
SANDCASTLE

COUNTER + BAR HEIGHT TABLE BASE

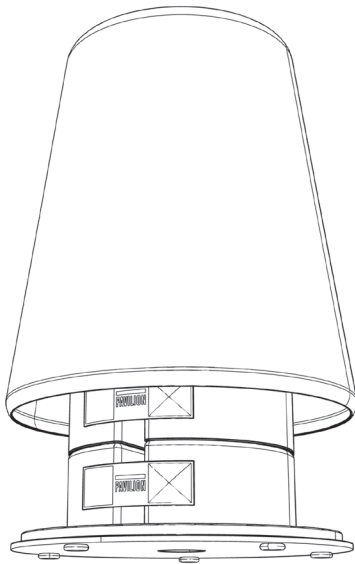
Installation Instructions



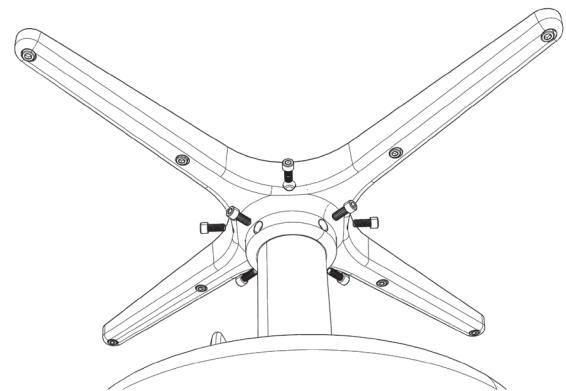
- 1** Adjust glides to level the table base.
Pull Velcro tab open.



- 2** Slide sandbag onto table base stem. Close velcro strap.
Repeat steps for each sandbag required by base type.

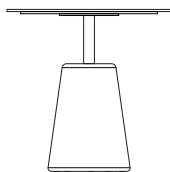


- 3** Slide the aluminum tapered cylinder over
the center column of the table base.

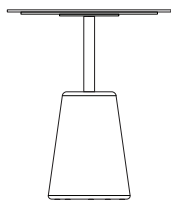


- 4** Install 4-Star Table Bracket onto the central column
of the table base with (8) fasteners provided.

Sandcastle counterweights must remain intact for the product to perform properly under the ANSI / BIFMA standard.



SD 3200-30 / SD 3200-36
COUNTER HEIGHT TABLES



SD 3000-30 / SD 3000-36
BAR HEIGHT TABLES